

# **CHENBRO**

## **Tower Server Chassis 4-Ports 6Gb/s SAS/SATA Backplane User's Manual**

### **80H10220919A0**

**Revision: 1.1**

**Dec / 03 / 2013**

[www.chenbro.com](http://www.chenbro.com)

## Copyright

Copyright © 2010 Chenbro Micom Co., Ltd. All rights reserved.

Unless otherwise indicated, all materials in this manual are copyrighted by Chenbro Micom Co., Ltd.. All rights reserved. No part of this manual, either text or image may be used for any purpose other than internal use within purchasing company. Therefore, reproduction, modification in any form or by any means, electronic, mechanical or otherwise, for reasons other than internal use, is strictly prohibited without prior written permission.

Chenbro Micom Co., Ltd. reserves the right to make improvement and modification to the products indicated in this manual at any time. Specifications are therefore subject to change without prior notice.

Information provided in this manual is intended to be accurate and reliable. However, Chenbro Micom Co., Ltd., assumes no responsibility for its use, nor for any infringements upon the rights of third parties, which may result from its use.

## Technical Support

Chenbro works hard to offer our customers maximum performance from our chassis. But in case you have any problem with our product you can find supports from the following resources.

### **Web Support**

Detail information of our products is in our website. You can find technical updates, installation guides, FAQs, technical specifications and more. Our web address is: [www.chenbro.com](http://www.chenbro.com).

### **Email Support**

You can also fill out the technical support form at our [Technical Support](#) page. Your technical issue inquiries will be sent directly to our support professionals.

### **Phone Support**

You can also contact Chenbro HQ or branch office for immediate support; contact information is as following:

Chenbro HQ	Chenbro Europe B.V.	Chenbro Micom (USA) Inc
Tel: 886-2-8226-5500	Tel: 31-40-295-2045	Tel: 1-909-947-3200
Fax: 886-2-8226-5423	Fax: 31-40-295-2044	Fax : 1-909-947-4300

www.chenbro.com

**Contents**

**Copyright.....2**

**Technical Support.....2**

**Revision History.....4**

**Hardware Specification..... 5**

**Accommodated Chassis.....5**

**Backplane Photos.....6**

**Backplane Layout.....7**

**Backplane wiring.....11**

w w w . c h e n b r o . c o m

## Revision History

<i>Revision</i>	<i>Date</i>	<i>Modifications</i>
V1.0	Sep / 15 / 2010	● <i>First release</i>
V1.1	Dec / 03 / 2013	● <i>Add CN06 SGPIO Pin Assignment</i>

## Hardware Specification

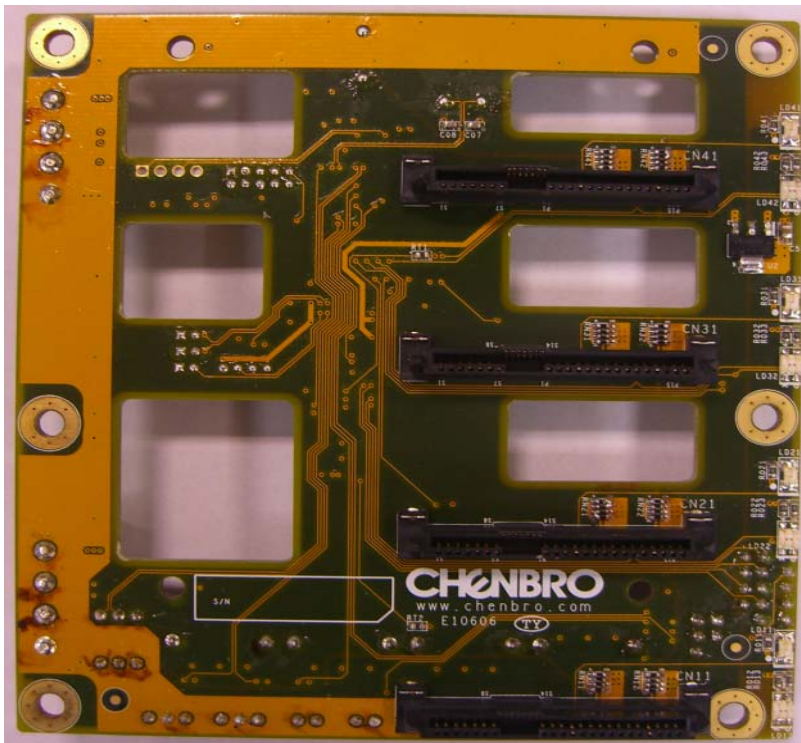
<b>Specification</b>	
<b>Host Interface</b>	<b>SATAIII</b>
<b>HDD Interface</b>	<b>SATA / SAS</b>
<b>Hot-Swap</b>	<b>Yes, allows user to on line replace Hard Disk Drive</b>
<b>Display</b>	<b>LED indicates Hard Disk Drive status ( Defined by Chenbro )</b> <b>Power LED – Blue ( When HDD is present )</b> <b>Access LED –Green ( When HDD is busy )</b> <b>Error LED –Red ( When HDD is fail )</b>
<b>Cooling</b>	<b>3pin Fan connector x2</b>
<b>Connectors</b>	<b>1. SATA III x 4</b> <b>2. SAS 29pin x 4 ( for HDD )</b> <b>3. Standard 4pin Power connector x 2 for +5V, +12V from power supply</b> <b>4. PSU alarm</b> <b>5. SGPIO</b>
<b>Dimension</b>	<b>114.8 ( Length ) x 107.8 ( Width ) x 2.4 ( Thickness ) mm</b>

## Accommodated Chassis

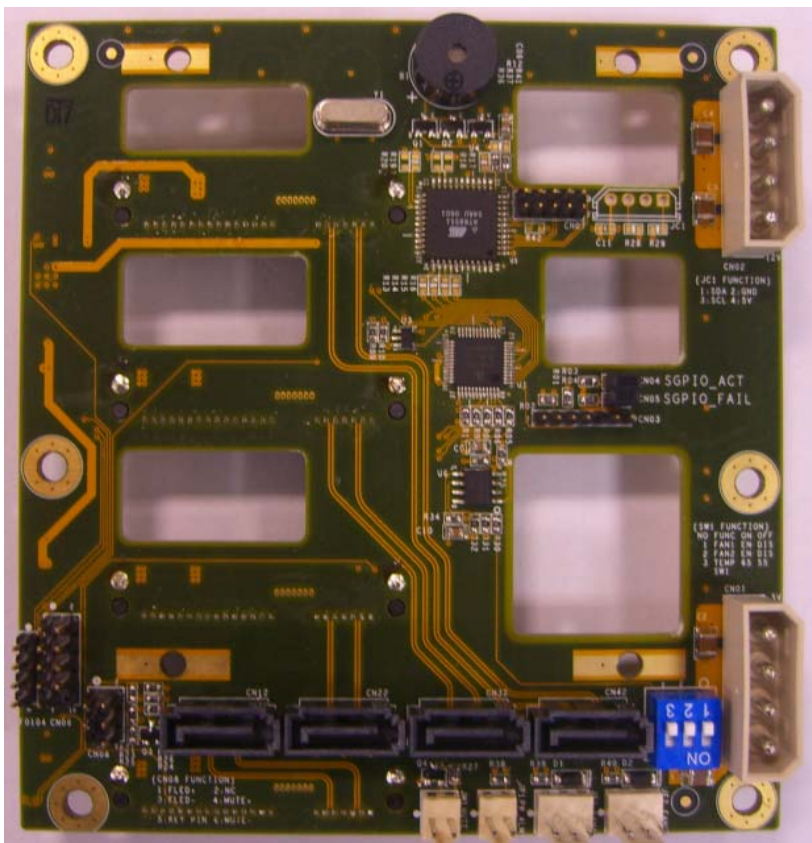
- **SR105 / SR107 / SR108 / SR209**

Backplane photos

Front side



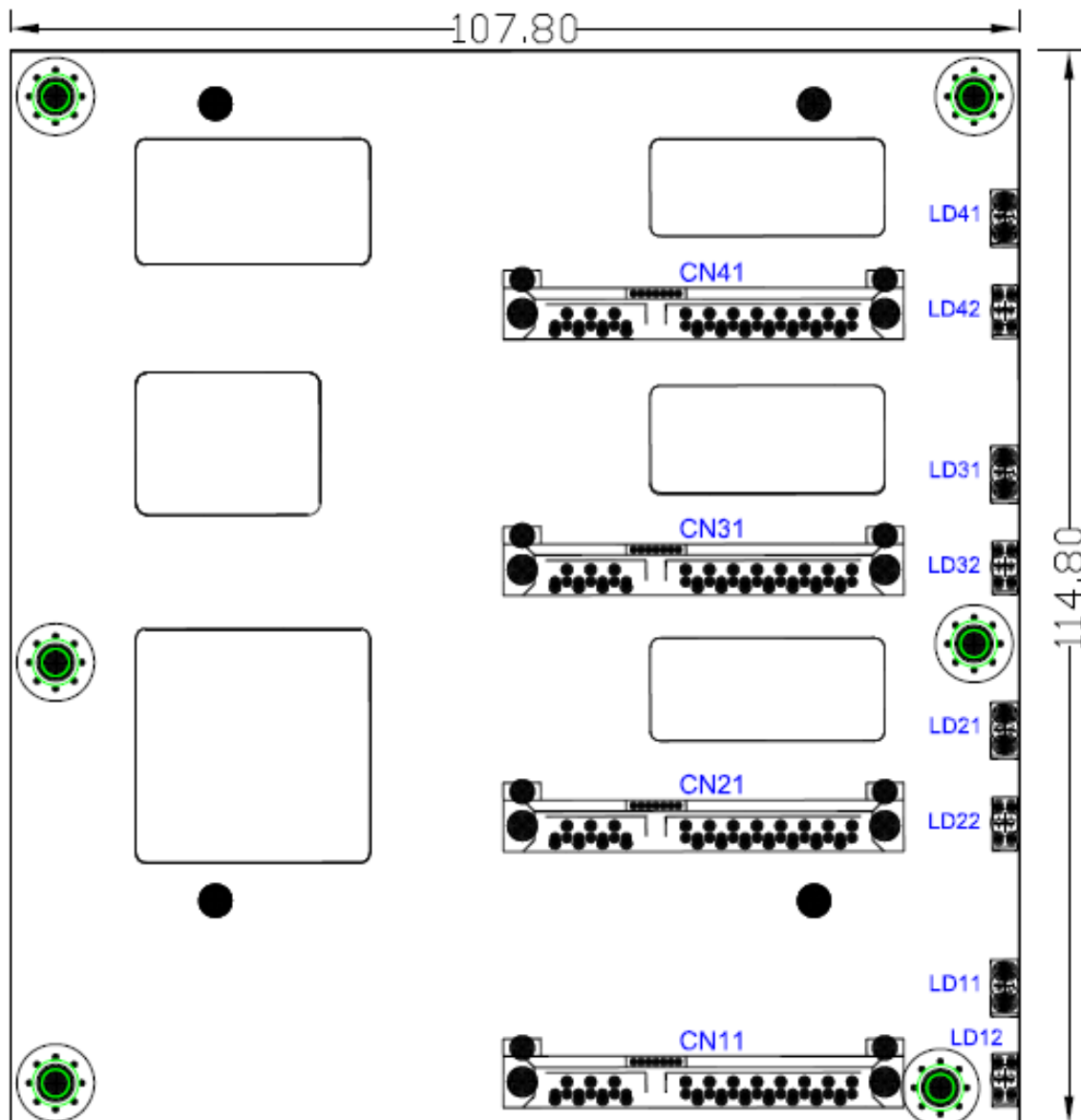
Rear side



www.chenbro.com

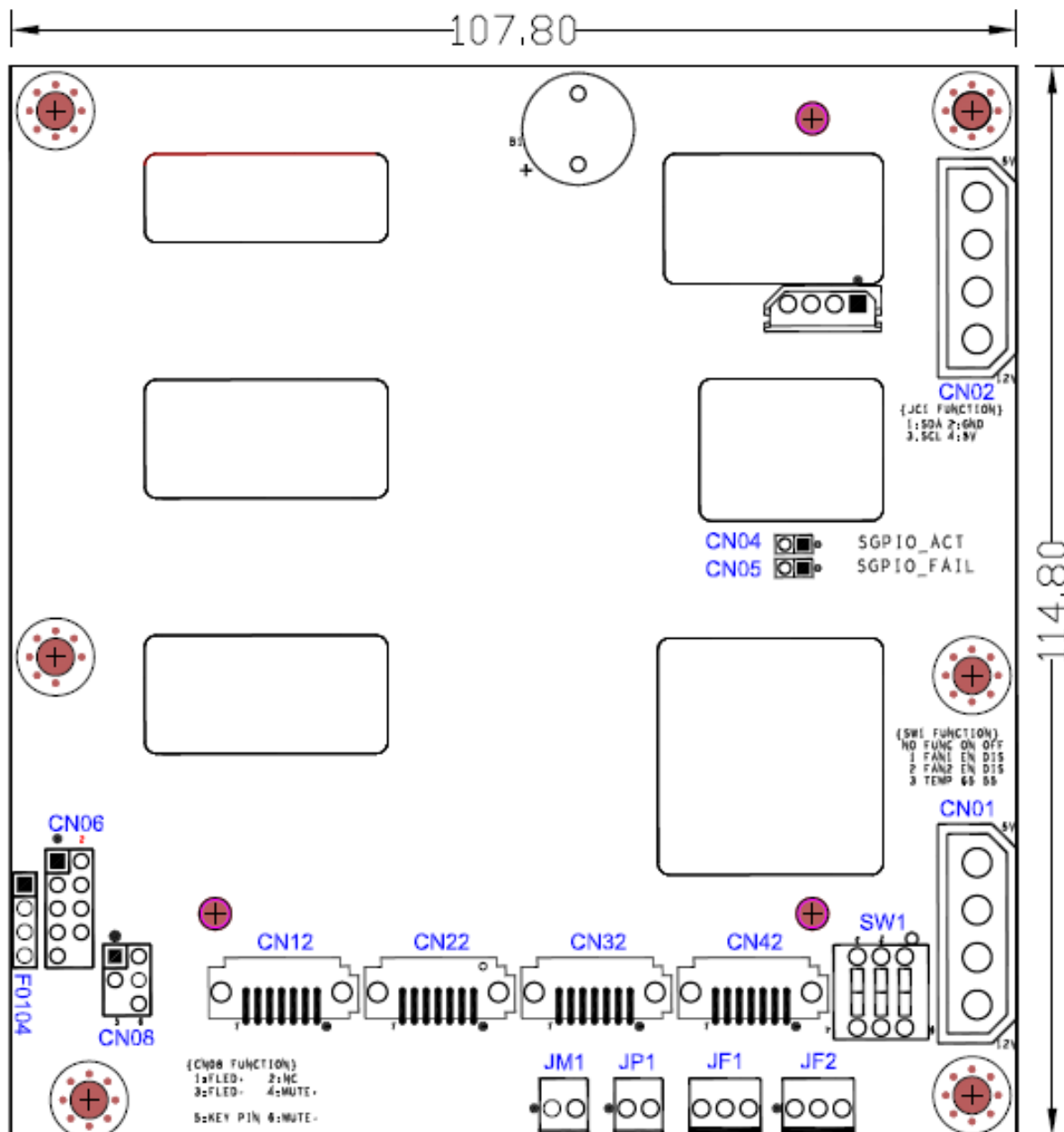
## Backplane Layout

Front view ( HDD slot IN )



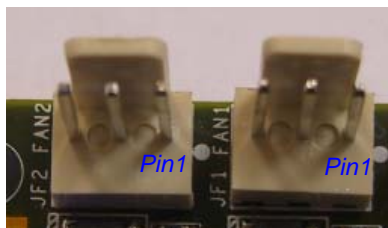
1. [CN11 / CN21 / CN31 / CN41]: connect to 29pin SAS or 22pin SATA II HDD
2. [LD11 / LD21 / LD31 / LD41]: Blue LED indicate HDD Power,
3. [LD12 / LD22 / LD32 / LD 42]: Green LED indicate HDD activity, Red LED indicate HDD failure.

Rear View ( Host Connectors IN )



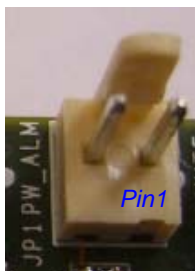
4. [CN12 / CN22 / CN32 / CN42]: connect to 7pin SATA II host

5. [JF1 / JF2]: 3P3C Fan connector





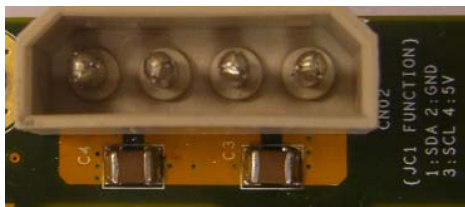
- 6. [JP1]: Power failure signal ( To Redundant Power Supply )
- 7. [JM1]: Power Failure Alarm Mute ( To Redundant Power Supply )



- 8. [F0104]: Discrete HDD Fail LED Signal Input connector ( From RAID Card )



- 9. [CN01 / CN02]: standard big 4pin power connector



- 10. [CN08]: Fan / Power / Temperature Fail LED output connector ( To Front Panel LED Display )

Pin1



Pin6

Pin	Definition	Function
1	LED (+)	FAN / Power / Temp Fail LED
2	N/A	
3	LED (-)	FAN / Power / Temp Fail LED
4	Buzzer Mute (+)	
5	Key Pin	
6	Buzzer Mute (-)	

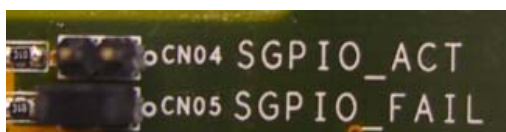
11. [SW1]: Fan & Temperature setting



Function	Fan1	Fan2	Temp
Pin	1	2	3
ON	Enable	Enable	65
OFF	Disable	Disable	55

12. [CN04]: SGPIO HDD access function jumper

[CN05]: SGPIO HDD fail function jumper

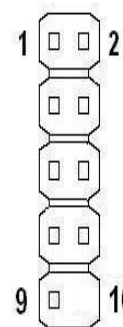


CN05	CN04	SGPIO	Pin B8 Signal
Close	Close	Enable HDD failure and activity signal via SGPIO	Low
Close	Open	Enable HDD failure signal via SGPIO (Default)	Low
Open	Close	Enable HDD activity signal via SGPIO	Low
Open	Open	Disable HDD failure and activity signal via SGPIO	High

13. [CN06]: External HDD Activity LED Signal Input connector (from RAID Card)

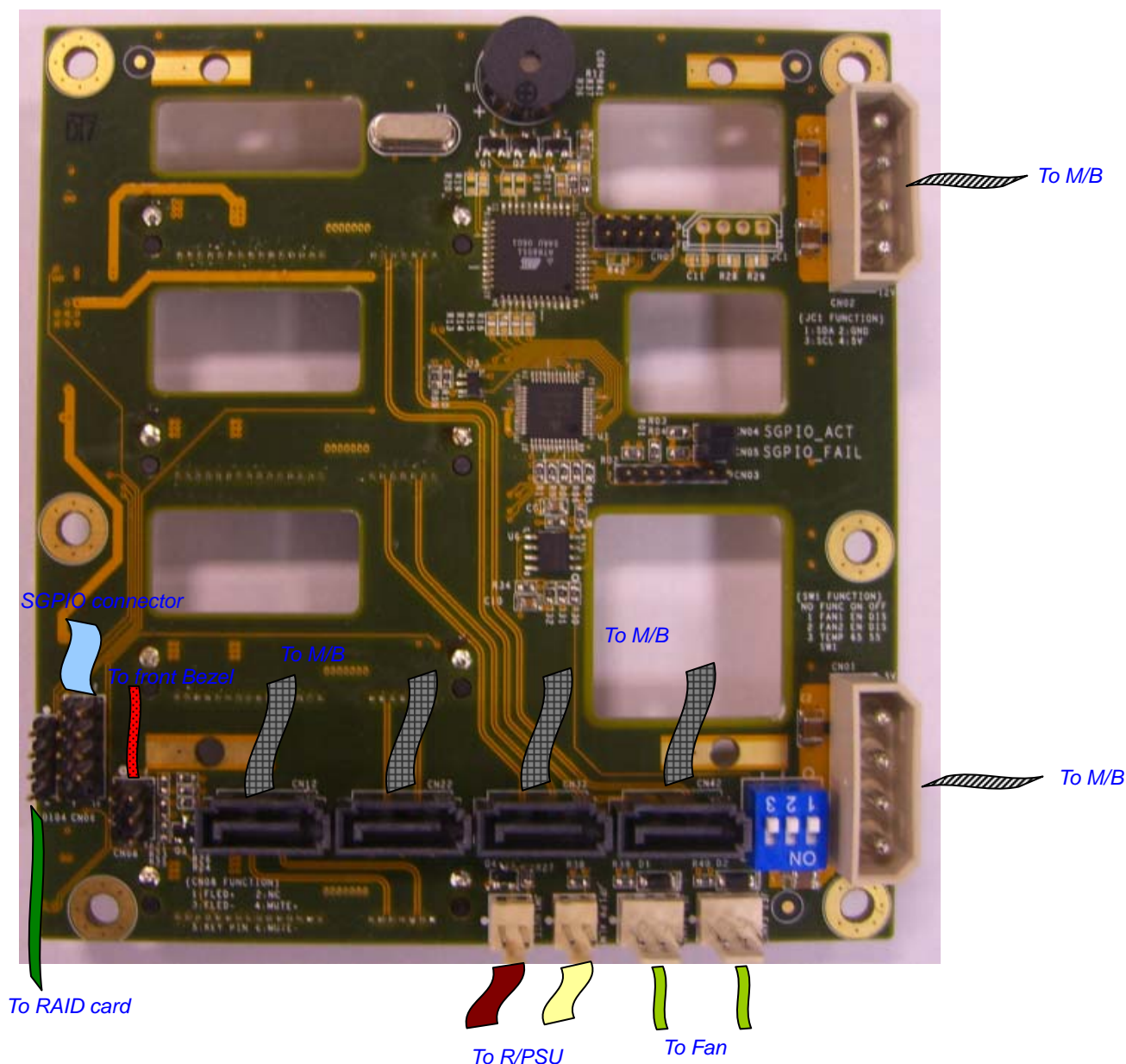
**SGPIO SIGNAL CONNECTOR (CN06)**

Pin NO.	Descriptions	Pin NO.	Descriptions
1	SGPIO DATA INPUT	2	NC
3	SGPIO DATA OUTPUT	4	GND
5	GND	6	SGPIO LOAD
7	CONTROL TYPE	8	SGPIO CLOCK
9	NC	10	KEY PIN



www.chenbro.com

## Backplane Wiring



	SATA 7pin Cable
	Fan cable
	standard big 4pin power
	HDD Fail LED Signal Input
	Fan / Power / Temperature Fail LED output
	Power failure input
	Power Failure Alarm Mute Output
	External HDD Activity LED Signal Input