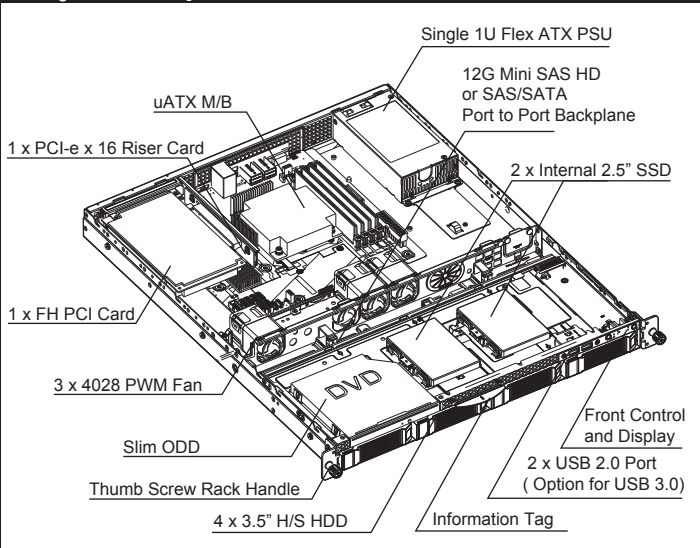
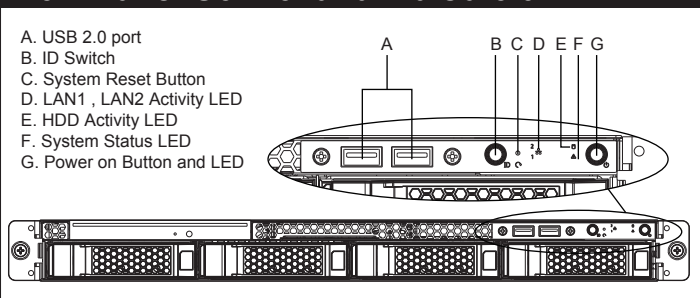


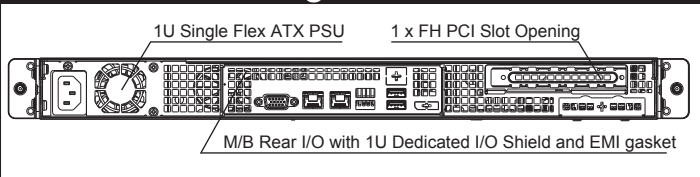
Major Components



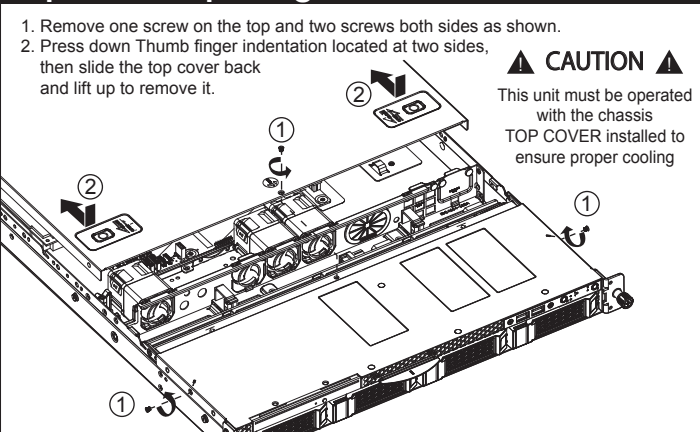
Front Panel Control and Indicators



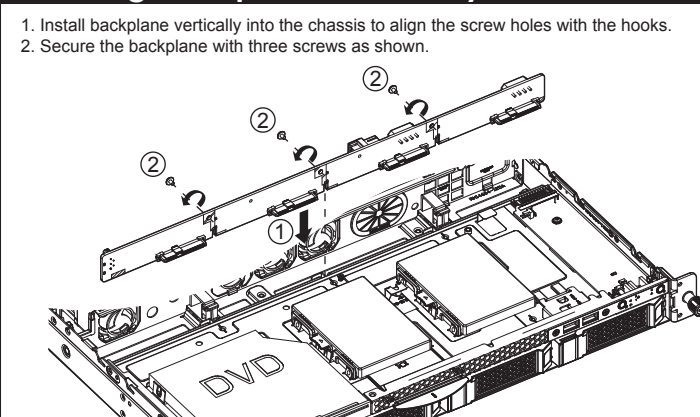
Rear Window Configuration



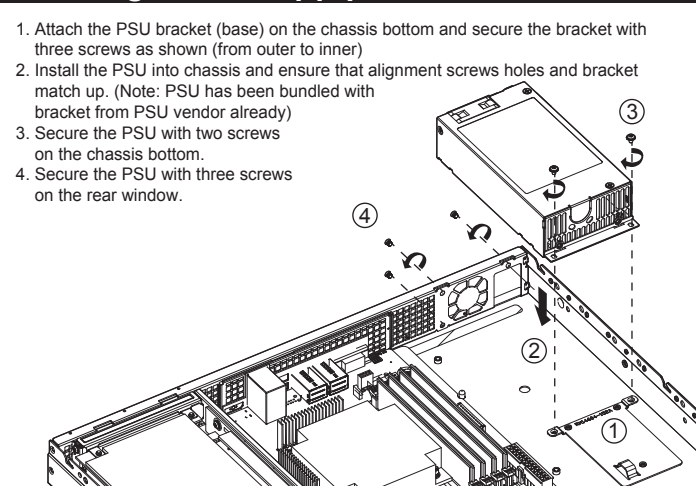
Top Cover Opening



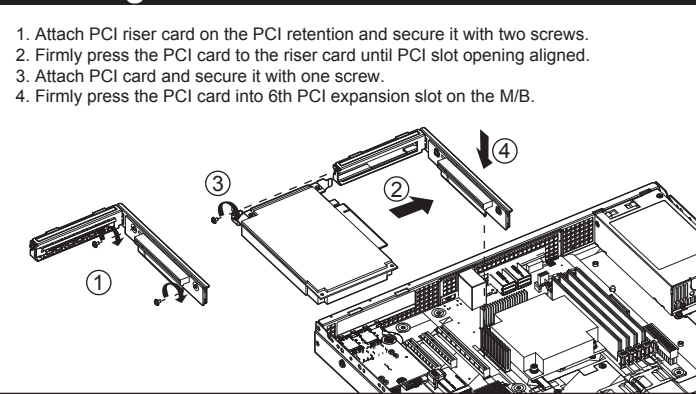
Installing Backplane Assembly



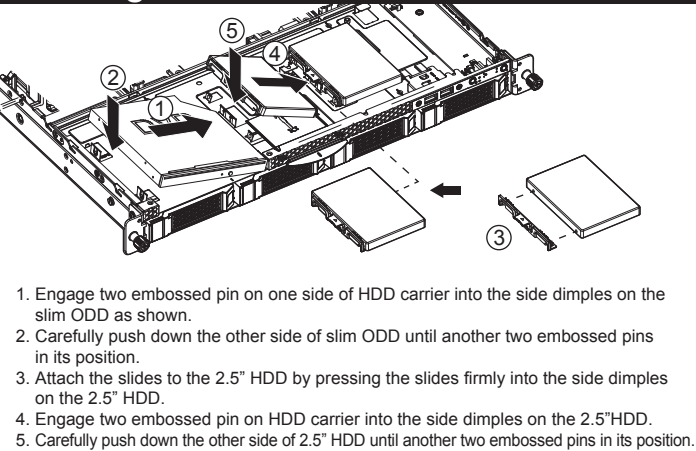
Installing Power Supply



Installing PCI Riser Card



Installing Slim ODD and 2.5" HDD



Installing 3.5" H/S HDD (Tool-less HDD Tray)

